

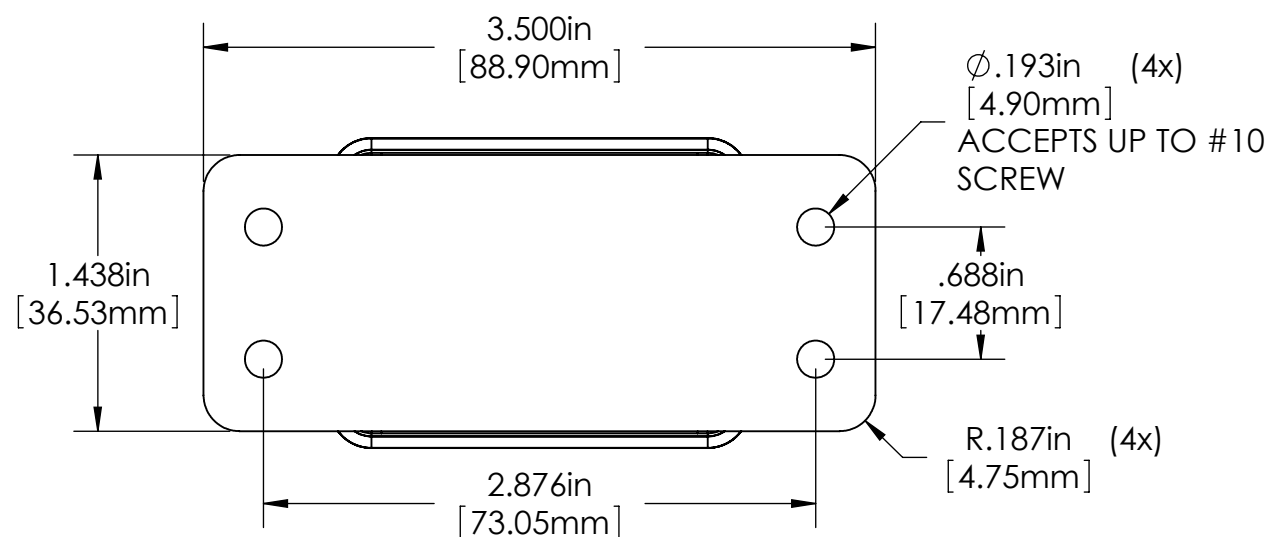
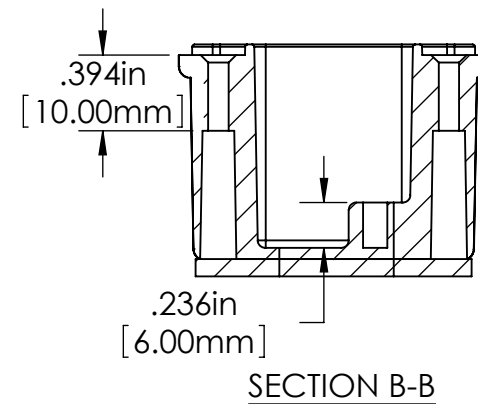
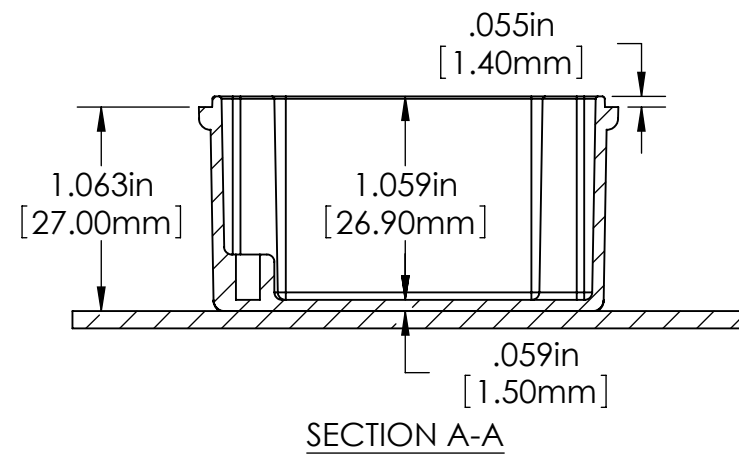
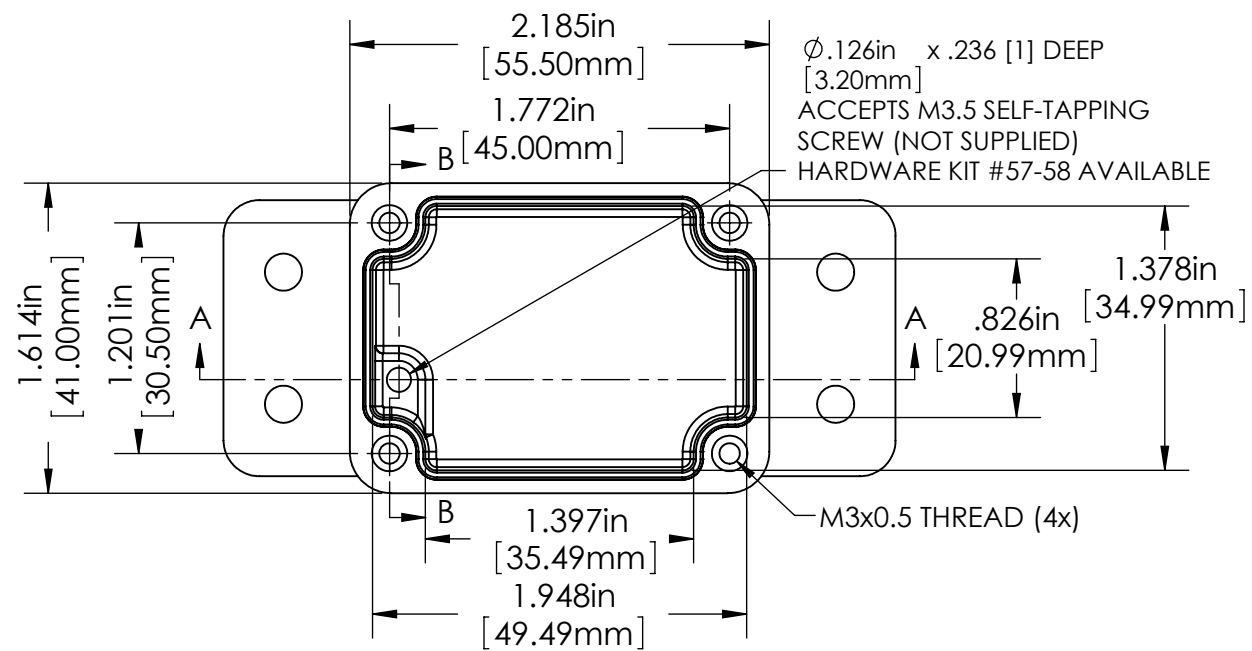
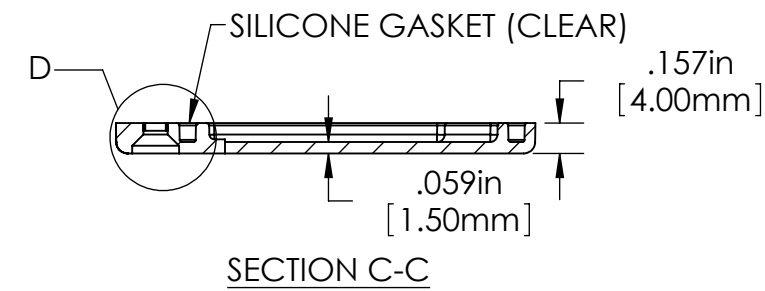
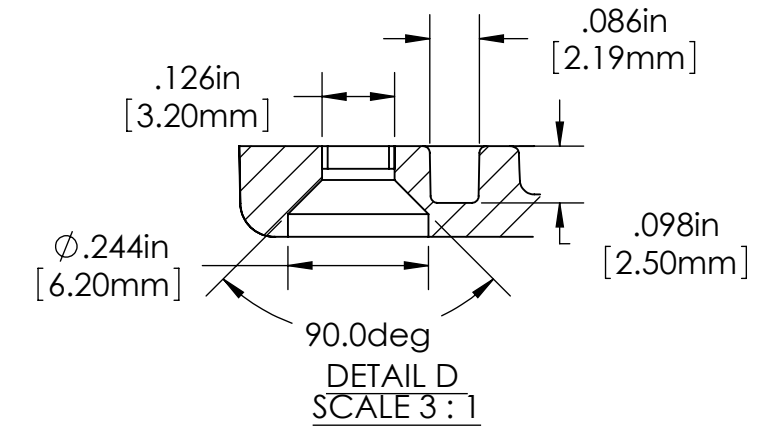
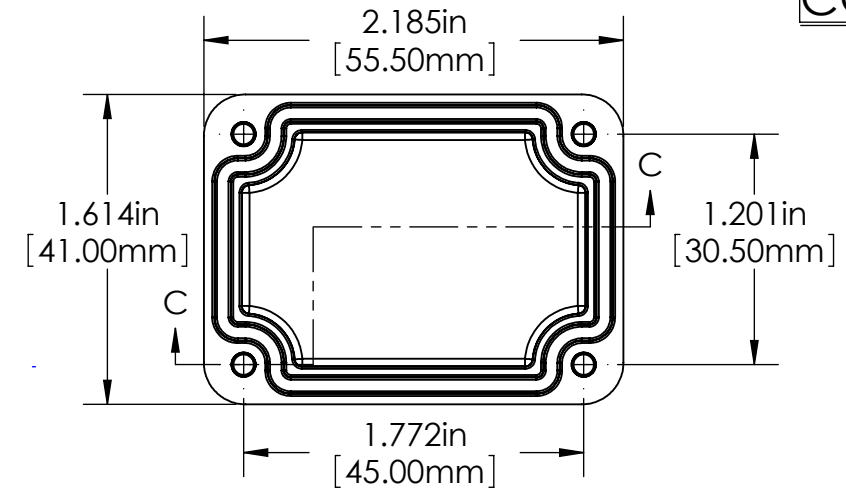
PART  
NAME

NEMA 4X DIE CAST ALUMINUM ENCLOSURE

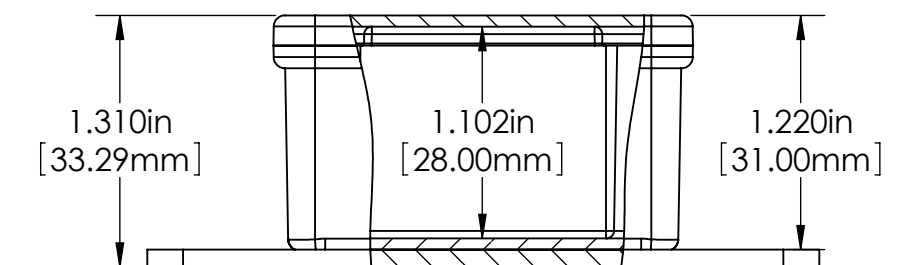
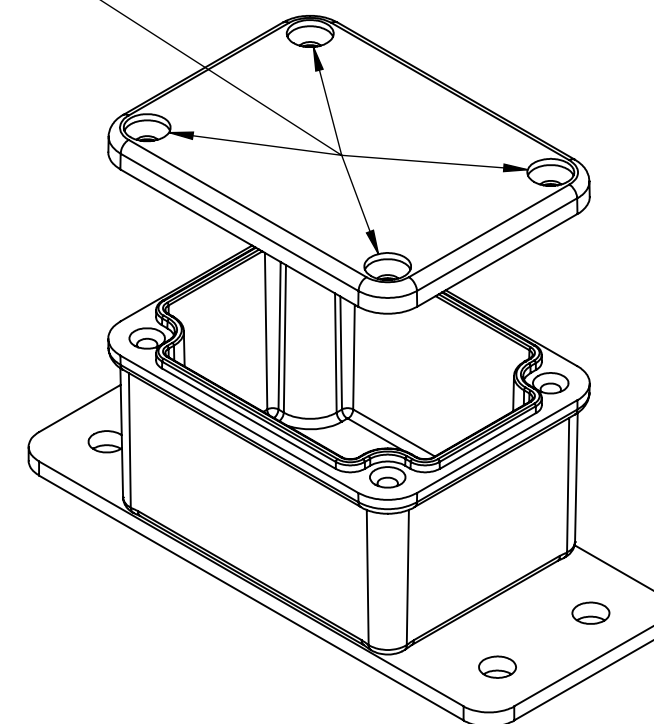
PART  
No.

AN-2818

AN-2818-B

REVISION  
DATE 8/18/2010**BODY ASSEMBLY****COVER**

FOUR (4) M3x0.5 x 12mm (.472") LG.  
 FLAT HD. STAINLESS STEEL SCREWS  
 SUPPLIED FOR ASSEMBLY OF COVER

**ASSEMBLY**

MATERIAL: ALUMINUM (ADC-12 ALLOY)

FINISH: NATURAL (NO SUFFIX PART NO.)  
 SMOOTH BLACK (SUFFIX -B)

TOLERANCES:  $\pm$ .015 [ $\pm$ .38]